



2026

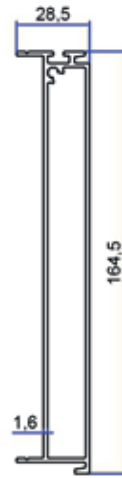
KIŞ BAHÇESİ &
CAM BALKON SİSTEMLERİ
H NEDAN

CATALOG

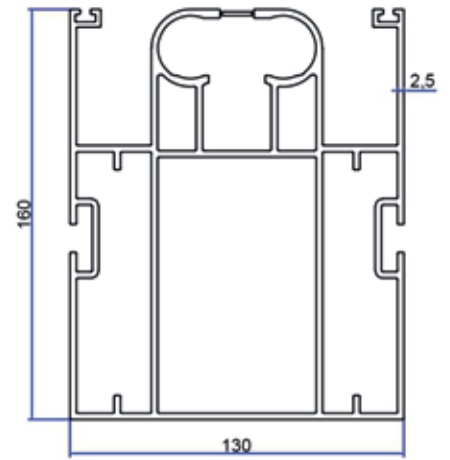




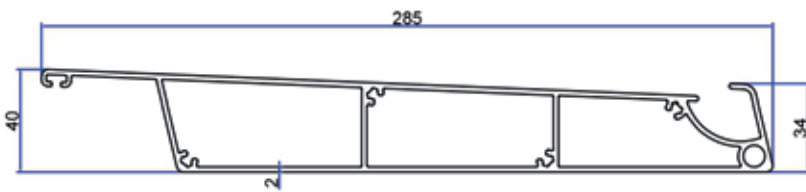
Profile No	kg/m
Roll-1801	5



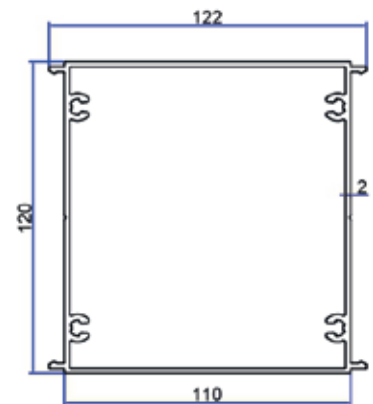
Profile No	kg/m
Roll-1802	1,95



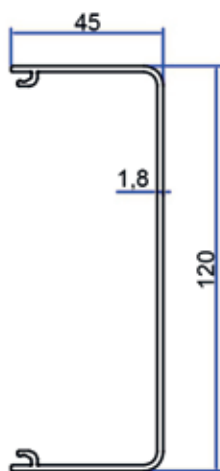
Profile No	kg/m
Roll-1803	7,827



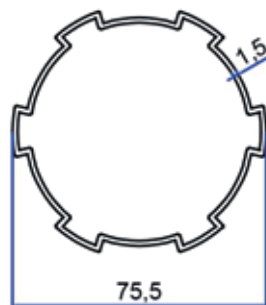
Profile No	kg/m
Roll-1804	4,25



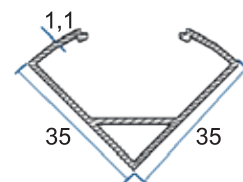
Profile No	kg/m
Roll-1805	3,1



Profile No	kg/m
Roll-1806	1,1



Profile No	kg/m
Roll-1807	1,2



Profile No	kg/m
ROLLING-1818	0,45



Ray Profili

Rail Profile

Product Code: ROLL-1803

Weight kg/m: 7,827
(160 x 130 x 2,5 mm)



Oluk Ön/Arka Kapama Profili

Gutter Front/Rear Closure Profile

Product Code: ROLL-1802

Weight kg/m: 1,95
(164,5 x 28,5 x 1,6 mm)



Oluk Profili

Gutter Profile

Product Code: ROLL-1801

Weight kg/m: 5
(85 x 205 x 2 mm)



Lamel Profili

Lamella Profile

Product Code: ROLL-1804

Weight kg/m: 4,25
(40 x 286 x 2 mm)



Dikme Profili

Column Profile

Product Code: ROLL-1805

Weight kg/m: 3,1
(120 x 110 x 2 mm)



Dikme Kapak Profili

Cover of Column Profile

Product Code: ROLL-1806

Weight kg/m: 1,1
(120 x 45 x 1,8 mm)



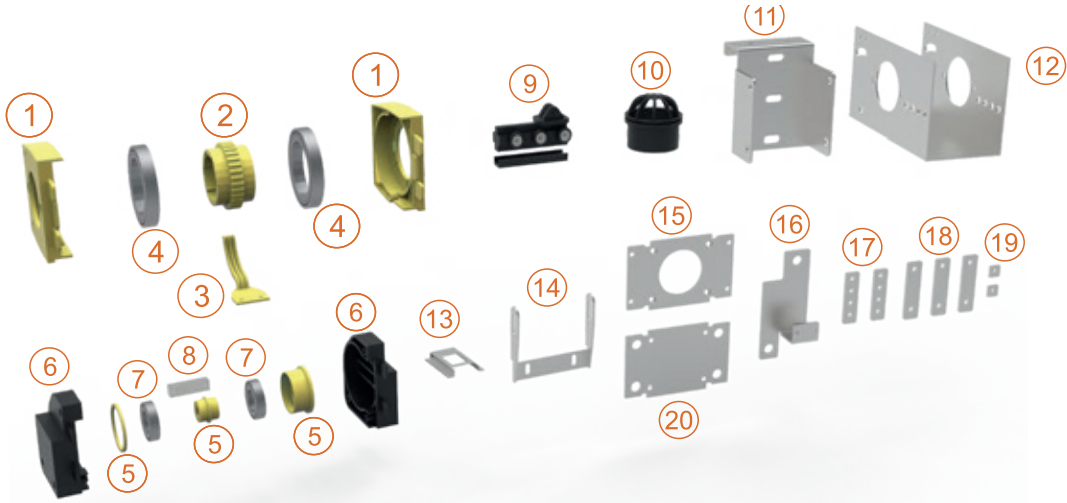
Motor Borusu

Motor Pipe

Product Code: ROLL-1807

Weight kg/m: 1,2
($\text{O}75,5$ x 1,5 mm)





	ÜRÜN KODU Product Code	ÜRÜN AÇIKLAMASI Product Description	ADET Piece
1	Roll-2001	Arka Plastik Rulman Yatağı Sağ/Sol / Rear Plastic Bearing Right/Left	1 Takım / Set
2	Roll-2002	T10 Triger Dişli / T10 Timing Gear	1 Adet / Piece
3	Roll-2003	Triger Kayış Fren / Timing Belt Brake	1 Adet / Piece
4	Roll-2004	6917 Çelik Rulman / 6917 Steel Bearing	1 Takım / Set
5	Roll-2005	Ön Rulman Yataklama Plastiği / Front Roller Bearing Plastic	1 Takım / Set
6	Roll-2006	Ön Gergi Plastik Dış Kasa Sağ/Sol / Front Tension Plastic Outer Case Right/Left	2 Adet / Piece
7	Roll-2007	6007 Çelik Rulman / 6007 Steel Bearing	2 Adet / Piece
8	Roll-2028	Ön Gergi Kare Otomat (16x16) / Front Tensioner Square Automaton(16x16)	2 Adet / Piece
9	Roll-2008	Ön Gergi Teker ve Triger Bağlantı Plastiği/Front Tensioner Wheel And Timig Link Plastic	2 Adet / Piece
10	VRND-2001	75' lik Filtre / 75 Water Filter	2 Adet / Piece
11	Roll-2009	Ray Arka Duvar Bağlantı Aparatı / Rail Rear Wall Connection Apparatus	2 Adet / Piece
12	Roll-2010	Ray Arka (U) Bağlantı Aparatı / Rail Rear (U) Connection Apparatus	2 Adet / Piece
13	Roll-2011	Arka 4. Lamel Bağlantı Aparatı / Rear 4th Lamella Fixing Apparatus	2 Adet / Piece
14	Roll-2012	Ön Ray Oluk Bağlantı Aparatı / Front Rail Groove Connection Apparatus	2 Adet / Piece
15	Roll-2013	Direk Üst Bağlantı Aparatı / Mast Top Connection Apparatus	2 Adet / Piece
16	Roll-2014	Ray Arka Bağlantı Laması / Rail Rear Connection Plate	2 Adet / Piece
17	Roll-2015	Ray Oluk Bağlantı Laması (M8 4 Delikli 25x100) / Rail Groove Connection Plate (M8 4 Holes 25x100)	2 Adet / Piece
18	Roll-2016	Ray Ön ve Ayak Bağlantı Laması (M8 2 Delikli 25x109) / Rail Front Connection Plate (M8 2 Holes 25x109)	2 Adet / Piece
19	Roll-2017	Ray Lama Somunu (M8 1 Delikli 25x25) / Rail Plate Nut (M8 1 Hole 25x25)	2 Adet / Piece
20	Roll-2029	Ayak ve Zemin Bağlantı Aparatı / Column and Floor Connection Apparatus	2 Adet / Piece

ÜRÜN KODU Product Code	ÜRÜN AÇIKLAMASI Product Description	ADET Piece
Roll-2018	M12x160 AKV Civata / M12x160 AKV Bolt	2 Adet / Piece
Roll-2019	M8x16 Yuvarlak Başlı Kare Vida / M8x16 Round Head Square Screw	2 Adet / Piece
Roll-2020	M8x70 İnbus Civata / M8x70 İnbus Bolt	2 Adet / Piece
Roll-2021	M8x12 Bombe Baş İnbus Civata / M8x12 Round Head İnbus Bolt	2 Adet / Piece
Roll-2022	M6x90 İnbus Civata / M6x90 İnbus Bolt	2 Adet / Piece
Roll-2023	M6x70 İnbus Civata / M6x70 İnbus Bolt	2 Adet / Piece
Roll-2024	M6x50 İnbus Civata / M6x50 İnbus Bolt	2 Adet / Piece
Roll-2025	M12 Fiberli Somun / M12 Fiber Nut	2 Adet / Piece
Roll-2217	M8 Fiberli Somun / M8 Fiber Nut	2 Adet / Piece
Roll-2026	M6 Fiberli Somun / M6 Fiber Nut	
Roll-2027	6,3x32 YHB Saç Vidası / 6,3x32 YHB Hair Screw	



Lamel Sol Kapak Plastiđi

Lamel Left Cover Plastic

Product Code: Roll-2202



Lamel Sađ Kapak Plastiđi

Lamel Right Cover Plastic

Product Code: Roll-2201



Arka Lamel Sabitleme (Orta)

Rear Lamel Fixing (Middle)

Product Code: Roll-2207



Arka Lamel Sabitleme (Kenar)

Rear Lamel Fixing (Edge)

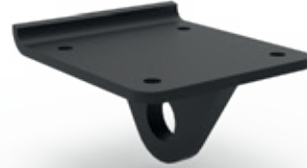
Product Code: Roll-2206



Ray Teker

Rail Wheel

Product Code: Roll-2209



Orta Ray Teker Mafsalı

Middle Rail Wheel Joint

Product Code: Roll-2208



Ön Lamel Mafsalı Sađ/Sol

Front Lamella Joint Right/Left

Product Code: Roll-2203



Orta Lamel Mafsalı Sađ/Sol

Middle Lamella Joint Right/Left

Product Code: Roll-2204



Arka Lamel Mafsalı Sađ/Sol

Rear Lamella Joint Right/Left

Product Code: Roll-2205



Oluk Sağ/Sol Kapak Sacı

Gutter Right/Left Cover Plate

Product Code: Roll-2210



Motor Sabitleme Aparatı

Motor Fixing Apparatus

Product Code: ROLL-2211



T10/16 Triger Kayış

T10/16 Triger Belt

Product Code: Roll-2212



Lamel Epdm Panel Contası

Epdm Panel Gasket

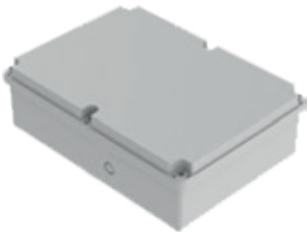
Product Code: Roll-2213



Ray ve Oluk Epdm Contası

Epdm Rail Gasket

Product Code: Roll-2214



Aydınlatma Kontrol Kutusu

Lighting Control Box

Product Code: Roll-2215



4.2 x 19 Topbař Vida

4.2 x 19 Ball Head Screw

Product Code: Roll-2218



4.8 x 32 Havřa Bařlı Vida

4.8 x 32 Countersunk Head Screw

Product Code: Roll-2219



M8 x 40 İnbuř Cıvata

M8 x 40 Inbus Screw

Product Code: Roll-2215



M8 x 65 İnbuř Cıvata

M8 x 65 Inbus Screw

Product Code: Roll-2216

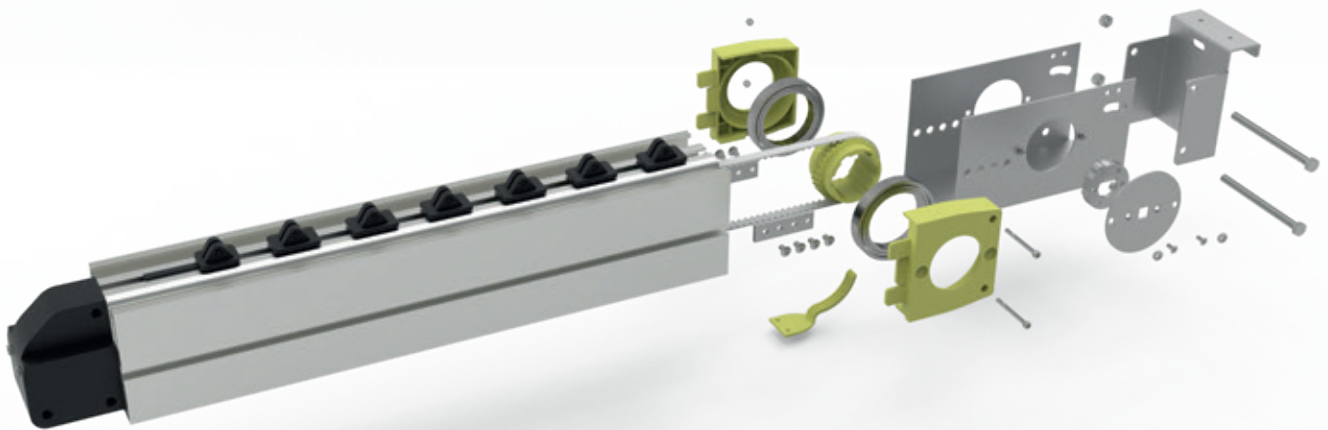
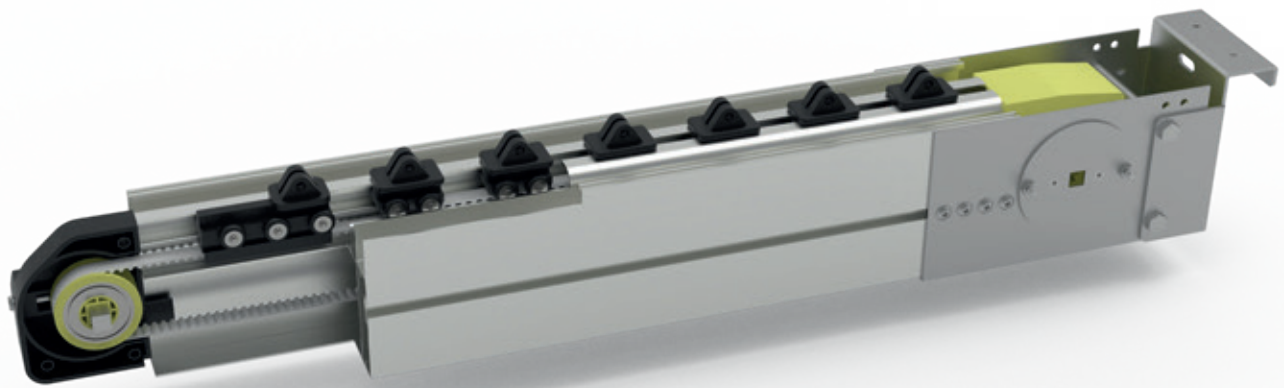


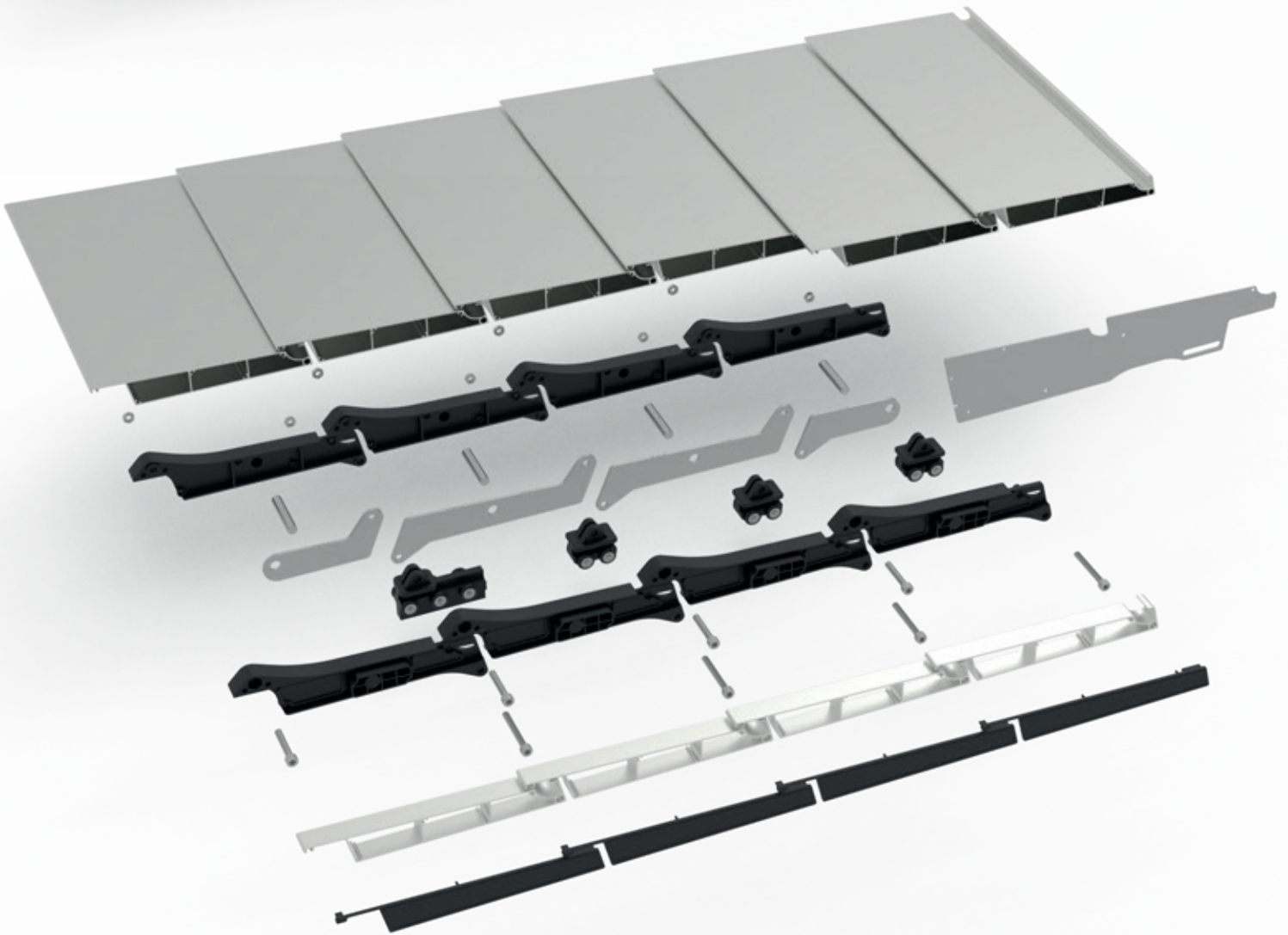
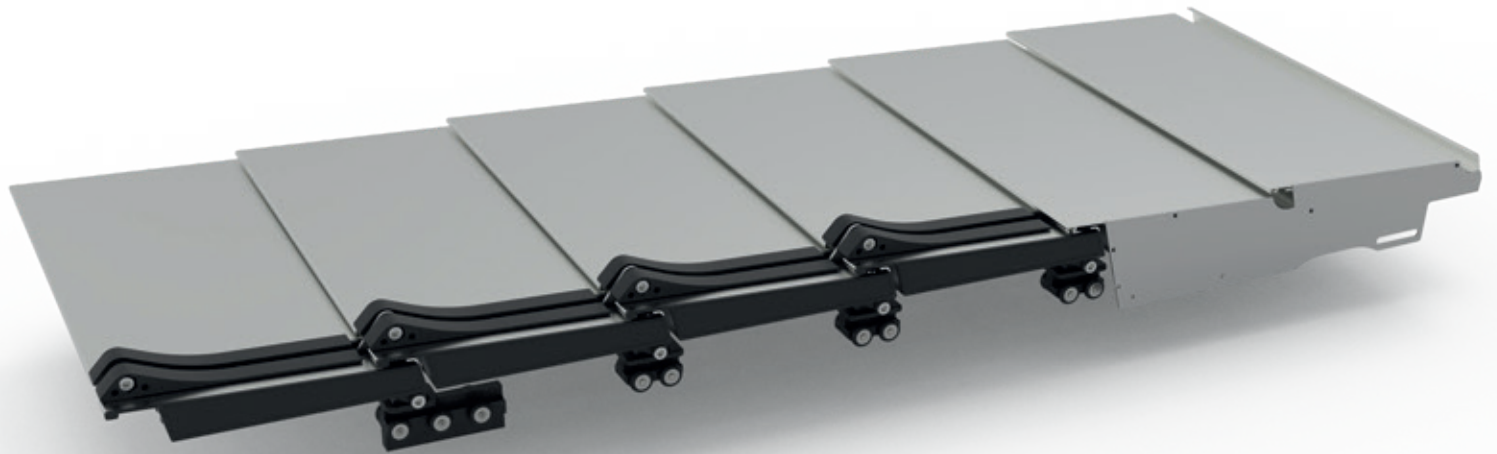
M8 Fiber Somun

M8 Fiber Nut

Product Code: Roll-2217

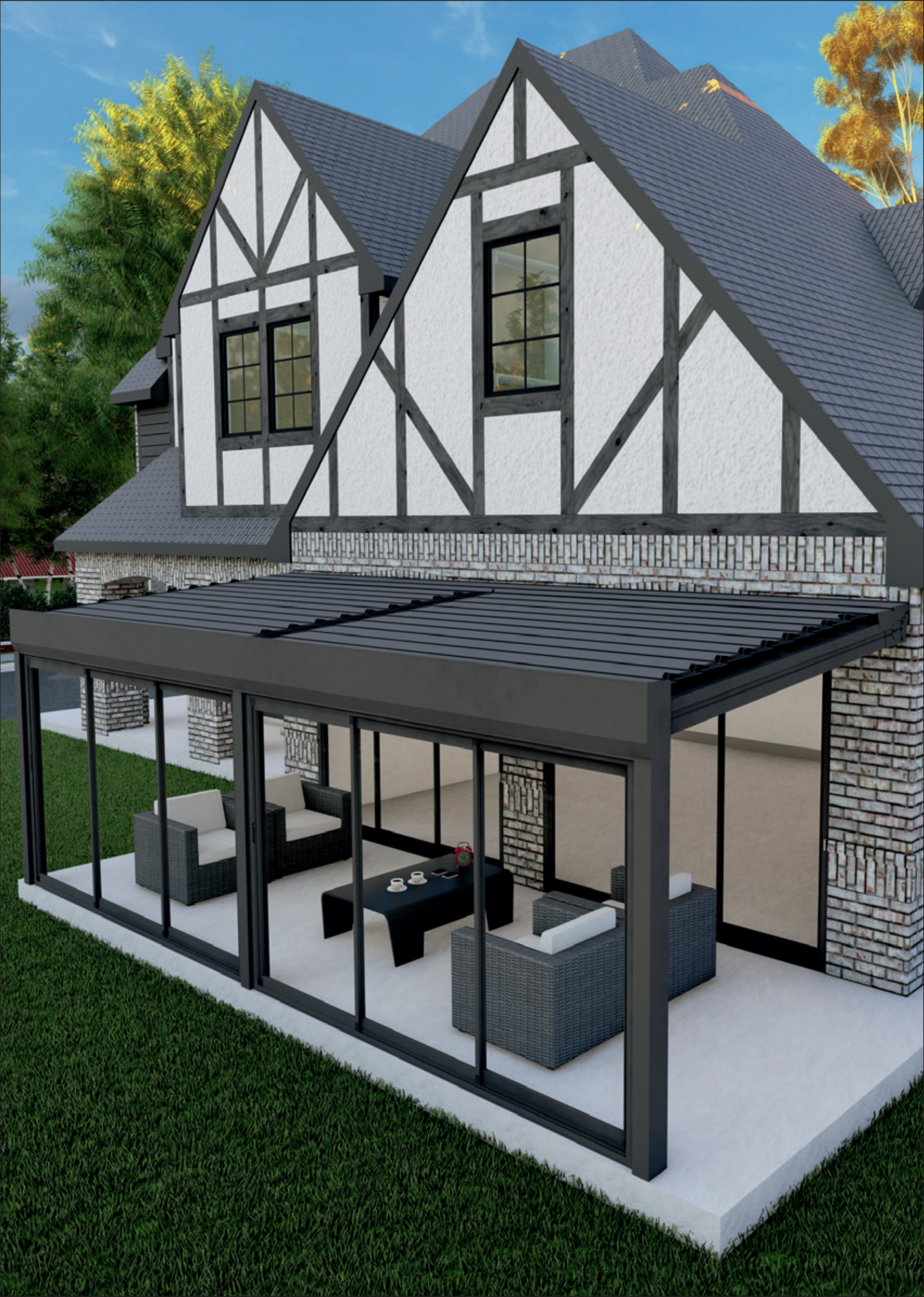
















2026

KIŞ BAHÇESİ &
CAM BALKON SİSTEMLERİ
H NEDAN

CATALOG